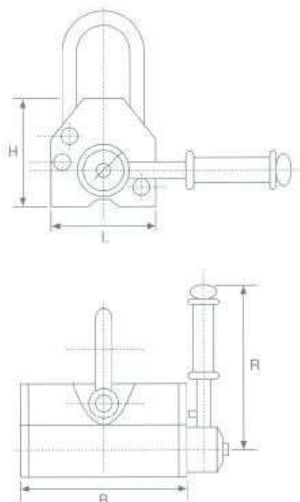


MagLift 1 series



Part No. 型號	Nominal Lifting Capacity		Max Pull-off Strength (kg) 最大拉脫力	L (mm)	B (mm)	H (mm)	R (mm)	Operating Temperature (°C) 使用溫度	Weight (kg) 自重
	Flat Material (kg) 額定起重力	Round Material (kg) 圓柱形起重力							
MagLift 1-100	100	50	300	64	92	67	126	≤ 80	3
MagLift 1-300	300	150	900	92	162	91	155	≤ 80	10
MagLift 1-600	600	300	1800	122	232	117	196	≤ 80	24
MagLift 1-1000	1000	500	3000	176	258	163	285	≤ 80	50
MagLift 1-2000	2000	1000	6000	234	378	212	426	≤ 80	125
MagLift 1-3000	3000	1500	9000	286	458	261	521	≤ 80	220
MagLift 1-6000	6000	3000	18000	430	600	355	180	≤ 80	420