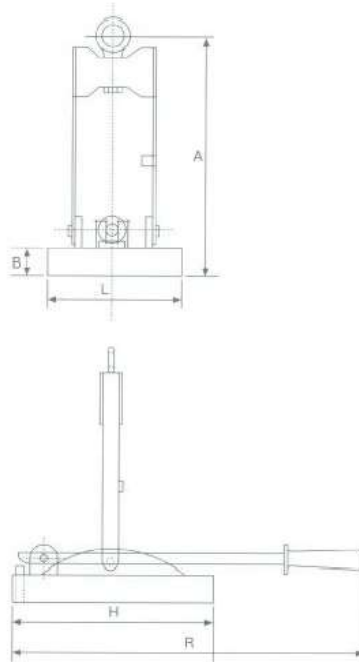




MagLift 2 series



Part No. 型號	Flat Material (kg) 額定起重力	Max Pull-off Strength (kg)最大拉脫力	A (mm)	L (mm)	B (mm)	H (mm)	R (mm)	Operating Temperature (°C) 使用溫度	Weight (kg) 自重
MagLift 2-250	250	750	260	120	40	190	290	≤ 80	5
MagLift 2-500	500	1500	300	200	40	300	590	≤ 80	15